

# KÄRCHER

makes a difference

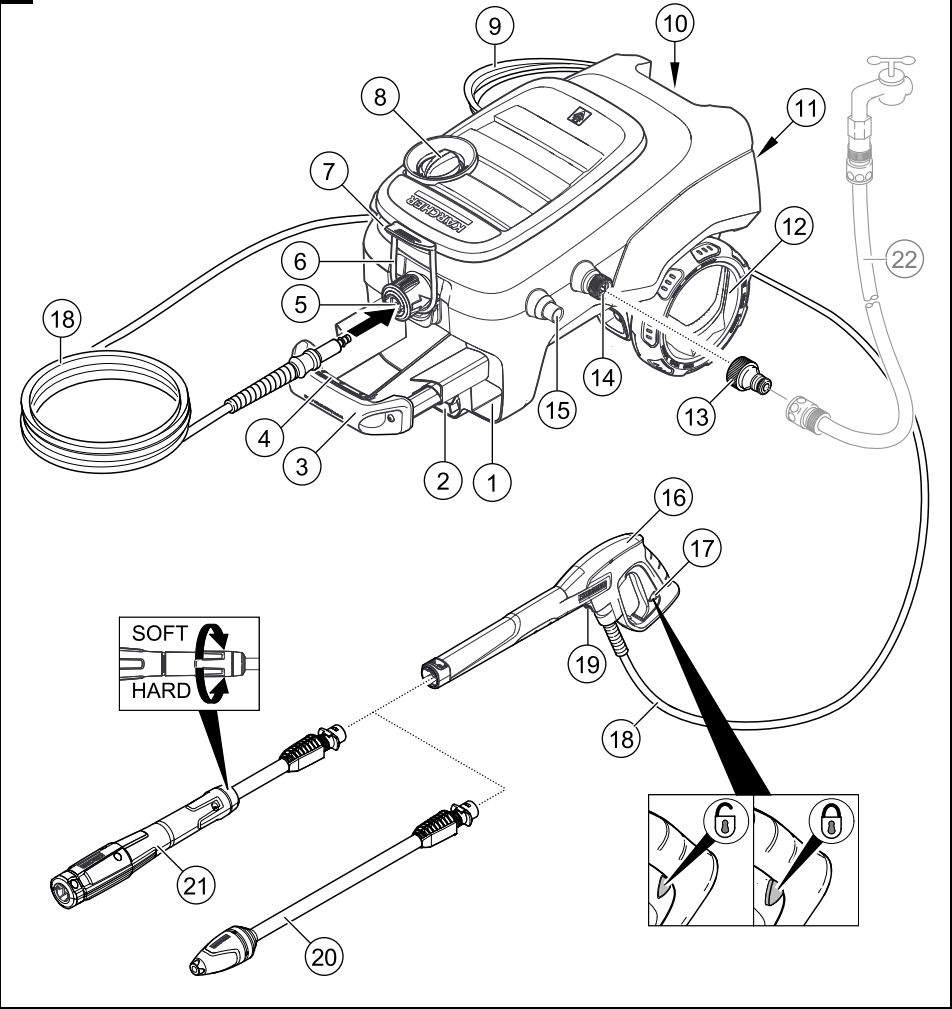
## K 5 Compact

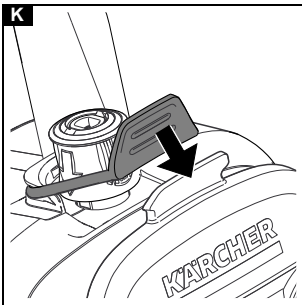
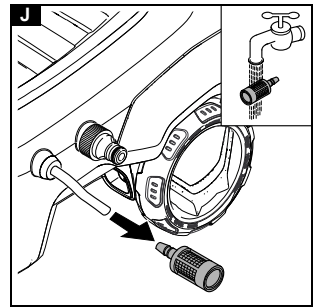
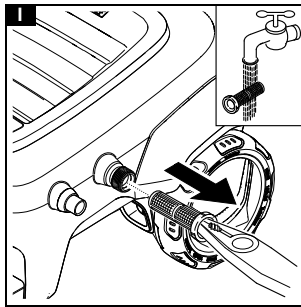
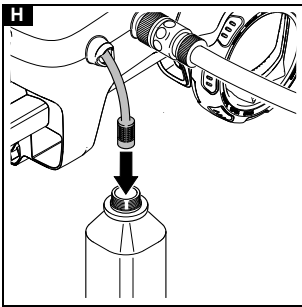
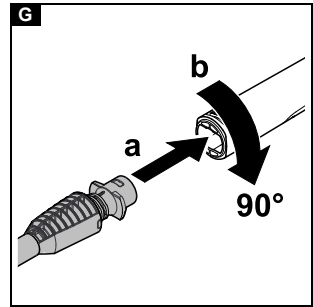
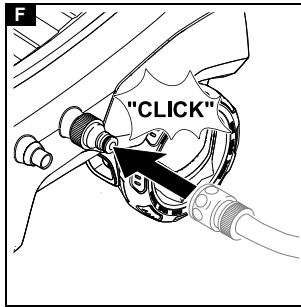
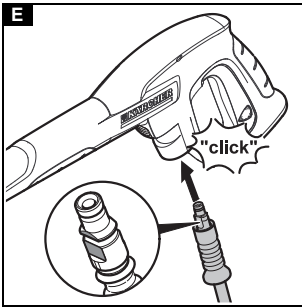
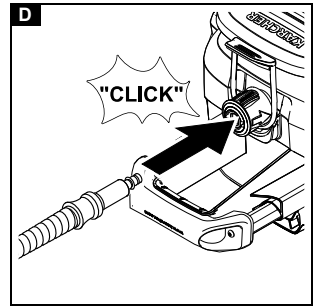
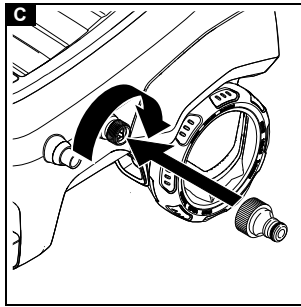
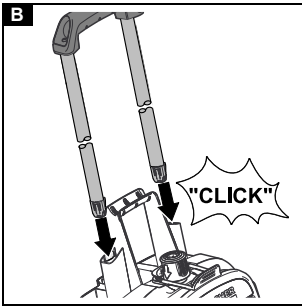
English 4  
العربية 19



59685310 (12/18)

A





## Safety instructions



Read these original operating instructions before using the device for the first time. Act in accordance with them. Keep the original operating instructions for future reference or for future owners.

- You also need to take into consideration the general safety regulations and accident prevention guidelines of the legislator in addition to the notes in the operating instructions.
- Warnings and information notices attached to the device provide important information for hazard-free operation.

## Hazard levels

### **△ DANGER**

*Indication of an imminent threat of danger that will lead to severe injuries or even death.*

### **△ WARNING**

*Indication of a potentially dangerous situation that may lead to severe injuries or even death.*

### **△ CAUTION**

*Indication of a potentially dangerous situation that may lead to minor injuries.*

### **ATTENTION**

*Indication of a potentially dangerous situation that may lead to damage to property.*

## Personal protective equipment

**△ CAUTION** ● *Wear suitable protective clothing and safety goggles to protect yourself from water or dirt backsplash. ● Aerosols can be formed when using high-pressure cleaners. Inhaling aerosols can be harmful for your health. Depending on the application, the use of fully shielded nozzles (e.g. surface cleaners) can significantly lower the emission of aqueous aerosols. Depending on the environment to be cleaned, wear a suitable respiratory protective mask of class FFP 2 or comparable to protect yourself from inhaling aerosols if the use of a fully shielded nozzle is not possible.*

## General safety warnings

**△ DANGER** ● *Risk of asphyxiation. Keep packaging film out of the reach of children.*

**△ WARNING** ● *Only use the device for its proper use. Take into account the local conditions and beware of third parties, in particular children, when working with the device. ● Persons with reduced physical, sensory or mental capabilities, or those with a lack of experience and knowledge, are only allowed to use the appliance if they are supervised or have been instructed with respect to using the appliance safely, and understand the*

resultant dangers involved. ● Children must not operate the device. ● Children must be supervised to prevent them from playing with the appliance.

⚠ **CAUTION** ● Safety devices are provided for your own protection. Never modify or bypass safety devices.

### **Risk of electric shock**

⚠ **DANGER** ● Only connect protection class I devices to properly earthed power sources. ● Only connect the device to alternating current. The voltage indicated on the type plate must match the voltage of the power source. ● Only operate the device via a fault current protection switch (maximum 30 mA). ● Never touch the mains plug and socket with wet hands. ● The mains plug and coupling of the extension cable must be water tight and may not be placed in water. The coupling may not be on the floor. Use cable drums to ensure that the sockets are at least 60 mm above the floor. ● All live parts in the work area must be protected against water jets.

⚠ **WARNING** ● Only connect the device to an electrical connection which has been set up by a qualified electrician as per IEC 60364-1. ● Check the power supply cable with mains plug for damage before operation each

time. Do not put the device into operation with a damaged power supply cable. Have a damaged power supply cable replaced immediately by the authorised customer service / qualified electrician. ● Do not damage the power supply and extension cable by running over it, crushing or yanking it or similar. Protect the power supply cable from heat, oil and sharp edges. ● Unsuitable electrical extension cables are dangerous. Only use approved and appropriately marked electrical extension cables with a sufficient line cross section when outdoors: 1-10 m : 1.5 mm<sup>2</sup>, 10-30 m : 2.5 mm<sup>2</sup>

⚠ **CAUTION** ● Always fully unwind the extension cable from the cable drum. ● In case of longer breaks in operation and after use, switch off the device at the main switch / device switch and pull the mains plug.

### **Operation**

⚠ **DANGER** ● Operation in explosive atmospheres is prohibited. ● Never suction solvents, liquids containing solvents or undiluted acids. This includes e.g. petrol, paint thinner or heating oil. The spray mist is highly flammable, explosive and poisonous. ● Damaged wheels / tyre valves are extremely dan-

gerous. Damaged wheels / tyre valves can be damaged by the high-pressure jet and explode. The first sign of this is discolouration of the tyres. Keep a spray distance of at least 30 cm when cleaning the wheels / tyre valves.

**⚠ WARNING** ●Do not use the device if people without the proper protective clothing are in its reach. ●Do not aim the high-pressure jet at yourself, e.g. to clean clothes or shoes. ●Do not direct the high-pressure jet at persons, animals, live electrical equipment or at the device itself.

l Do not spray any objects which contain harmful substances (e.g. asbestos). ●Check the device and the accessories, such as the high-pressure hose, high-pressure gun and safety devices, to make sure they are in proper safe and reliable condition before each operation. Do not use the device if it is damaged. Replace damaged components immediately. ●Only use high-pressure hoses, control panels and couplings specified by the manufacturer. ●Risk of scalding. When disconnecting the supply or high-pressure hose, hot water can leak out of the connections after operation.

**⚠ CAUTION** ●According to the applicable regulations, the appliance may never be used with

the drinking water network without a system separator. Ensure that the connection to your house water system, with which the high-pressure cleaner is operated, is equipped with a system separator according to EN 12729 type BA. ●Water that has flowed through a system separator is no longer classified as drinkable. ●Never leave the device unsupervised while it is in operation. ●Recoil force from the water stream emerging at the high-pressure nozzle acts on the high-pressure gun. Keep proper footing and hold the high-pressure gun and spray lance firmly. ●Accidents or damage due to the device falling over. Before all actions with or on the device, you must make sure that it is stable.

**ATTENTION** ●Do not operate the device at temperatures below 0 °C.

### Operation with detergent

**⚠ WARNING** ●Incorrect use of detergents can cause serious injuries or poisoning.

**⚠ CAUTION** ●Keep the detergent out of the reach of children.

l Only use the detergents supplied or specified by the manufacturer. The use of other detergents or chemicals can impair the safety of the device.

## Care and service

**⚠ WARNING** • *Always pull out the mains plug before all care and maintenance work.*

**⚠ CAUTION** • *Have repair work and work on electrical components carried out by the authorised customer service only.*

**ATTENTION** • *Do not use acetone, undiluted acids or solvents, as they corrode the materials used on the device.*

## Transportation

**⚠ CAUTION** • *Risk of accidents and injuries. Take into account the weight of the device for transportation and storage. See chapter Technical data in the operating instructions.*

## Contents

Safety instructions . . . . .	4
Environmental protection . . . . .	7
Intended use . . . . .	7
Accessories and spare parts . . . . .	7
Scope of delivery . . . . .	8
Device description . . . . .	8
Safety devices . . . . .	8
Symbols on the device . . . . .	8
Installation . . . . .	8
Initial startup . . . . .	8
Operation . . . . .	9
Transport . . . . .	10
Care and service . . . . .	10
Storage . . . . .	10
Troubleshooting guide . . . . .	10
Warranty . . . . .	11
Technical data . . . . .	11
EU Declaration of Conformity . . . . .	11

## Environmental protection



The packing materials can be recycled. Please dispose of packaging in accordance with the environmental regulations.



Electrical and electronic appliances contain valuable, recyclable materials and often components such as batteries, rechargeable batteries or oil, which - if handled or disposed of incorrectly - can pose a potential danger to human health and the environment. However, these components are required for the correct operation of the appliance. Appliances marked by this symbol are not allowed to be disposed of together with the household rubbish.



Cleaning work producing in oily waste water, e.g. washing engines, washing undercarriages etc., may only be performed at washing stations with an oil separator.



Working with detergents may only be performed on watertight surfaces with connection to the waste water sewage system. Do not allow detergent to enter waterways or the soil.



Extraction of water from public waterways is not permitted in some countries.

### Notes on the content materials (REACH)

Current information on content materials can be found at: [www.kaercher.de/REACH](http://www.kaercher.de/REACH)

## Intended use

Use the high-pressure cleaner in private households only.

The high-pressure cleaner is intended for cleaning machines, vehicles, buildings, tools, façades, terraces, garden machines etc. using a high-pressure water jet.

## Accessories and spare parts

Only use original accessories and original spare parts. They ensure that the appliance will run fault-free and safely.

Information on accessories and spare parts can be found at [www.kaercher.com](http://www.kaercher.com).

## Scope of delivery

The scope of delivery for the appliance is shown on the packaging. Check the contents for completeness when unpacking. If any accessories are missing or in the event of any shipping damage, please notify your dealer.

## Device description

For the illustrations, refer to the graphics page **Illustration A**

- ① Storage for spray lance
- ② Storage for high-pressure gun
- ③ Transport handle, telescoping
- ④ Carrying handle
- ⑤ Quick coupling for high-pressure hose
- ⑥ Rubber band
- ⑦ Storage for high-pressure hose and mains connection cable
- ⑧ Power switch "0/OFF" / "I/ON"
- ⑨ Mains connection cable with mains plug
- ⑩ Carrying handle
- ⑪ Type plate
- ⑫ Transport wheel
- ⑬ Water connection coupling
- ⑭ Water connection with integrated sieve
- ⑮ Suction hose for detergent (with filter)
- ⑯ High-pressure gun
- ⑰ High-pressure gun lock
- ⑱ High-pressure hose
- ⑲ Button for separating the high-pressure hose from the high-pressure gun
- ⑳ Spray lance with dirt grinder for stubborn soiling
- ㉑ Vario Power spray lance for common cleaning tasks. The working pressure can be continuously increased from "SOFT" to "HARD". To adjust the working pressure, release the trigger gun lever and turn the spray lance to the desired position. Detergent can be added to the water jet when the spray lance is turned all the way in the SOFT direction.
- ② \*\*Garden hose with commonly available coupling
  - Fabric reinforced
  - Diameter of at least 1/2 inch (13 mm)
  - Length at least 7.5 m

\*\* additionally required

## Safety devices

### ⚠ CAUTION

#### **Missing or modified safety devices**

*Safety devices are provided for your own protection. Never modify or bypass safety devices.*

#### **Power switch**

The power switch prevents unintentional operation of the device.

#### **High-pressure gun lock**

The lock locks the lever of the high-pressure gun and prevents the device from starting unintentionally.

#### **Auto-stop function**

If the lever of the high-pressure gun is released, the pressure switch turns off the pump and the high-pressure jet stops. The pump switches on again when the lever is pressed.

#### **Motor circuit breaker**

The motor circuit breaker shuts off the device if power consumption it too high.

## Symbols on the device



Do not aim the high-pressure jet may at persons, animals, live electrical equipment or the device itself.

Protect the device against frost.

The device may not be directly connected to the public drinking water network



## Installation

For the figures, refer to the graphics page.

Fit the supplied loose parts onto the device before starting up the device.

### **Install the transport handle**

1. Attach the transport handle.

#### **Illustration B**

### **Installing the water connection coupling**

1. Screw the water connection coupling onto the water connection on the device.

#### **Illustration C**

## Initial startup

1. Place the device on a flat and level surface.
2. Insert the high-pressure hose into the quick coupling until it audibly latches into place.

#### **Illustration D**

3. Insert the high-pressure hose into the high-pressure gun until it audibly latches into place.

#### **Note**

*Take care to ensure the correct alignment of the nipple.*

#### **Illustration E**

4. Check for a secure connection by pulling on the high-pressure hose.
5. Plug the mains plug into a mains socket.

### **Water supply**

For the connection values, see the type plate or chapter Technical data.

Observe the water distribution company regulations.

#### **ATTENTION**

#### **Damage through contaminated water**

*Contamination in the water can damage the pump and the accessories.*

*KÄRCHER recommends using the KÄRCHER water filter for protection (special accessory, order number 4.730-059).*



## Connection to the water line

### ATTENTION

#### **Damage to the pump**

A metal hose coupling with Aquastop on the garden hose can cause damage to the pump.  
Use a plastic hose coupling or a KÄRCHER brass hose coupling.

1. Plug the garden hose onto the water connection coupling.

#### **Illustration F**

2. Connect the garden hose to the water line.
3. Open the water tap fully.

## Sucking water from open containers

When used with the KÄRCHER suction hose with check valve (special accessory, order number 2.643-100) this high-pressure cleaner is suitable for sucking up surface water, e.g. from rain barrels or ponds (for the maximum suction height see chapter Technical data).

The water connection coupling is not required for suction operation.

1. Fill the suction hose with water.
2. Screw the suction hose onto the device water connection and hang it in a water source (e.g. water butt).

## Vent the device

1. Switch the device on "I/ON".
2. Unlock the lever of the high-pressure gun.
3. Press the lever of the high-pressure gun. The device switches on.
4. Allow the device to run a maximum of 2 minutes until the water escaping from the high-pressure gun is free of air bubbles.
5. Release the lever of the high-pressure gun.
6. Lock the lever of the high-pressure gun.

## Operation

### ATTENTION

#### **Pump running dry**

*Damage to the device*

If pressure does not build up in the device after 2 minutes then switch the device off and proceed according to the instructions in chapter Troubleshooting guide.

## High-pressure operation

### ATTENTION

#### **Damage to painted or sensitive surfaces**

Surfaces can be damaged when the jet is too close to the surface or an unsuitable spray lance is used. Maintain a minimum spray distance of 30 cm when cleaning painted surfaces.

Do not clean car tyres, paint or sensitive surfaces such as wood with the dirt grinder.

1. Insert a spray lance into the high-pressure gun and lock it by turning it 90°.

#### **Illustration G**

2. Switch the device on ("I/ON").
3. Unlock the lever of the high-pressure gun.
4. Press the lever of the high-pressure gun. The device switches on.

## Operation with detergent

### ⚠ DANGER

#### **Failure to adhere to the safety data sheet**

*Incorrect handling of the detergent can seriously damage your health*

*Observe the safety data sheet of the detergent manufacturer, in particular the instructions on personal protective equipment.*

#### **Note**

*Detergent can only be mixed into the jet at low pressure.*

1. Pull the desired length of the detergent suction hose out of the casing.

#### **Illustration H**

2. Hang the detergent suction hose in a container with detergent solution.
3. Use the Vario Power spray lance.
4. Turn the spray lance all the way in the "SOFT" direction.

The detergent solution is mixed with the water jet during operation.

## Recommended cleaning method

1. Spray the detergent sparingly on the dry surface and let it work for a while (do not let it dry).
2. Rinse off the loosened dirt with the high-pressure jet.

## After operation with detergent

1. Flush the device with clear water for approx. 30 seconds.

## Interrupting operation

1. Release the lever of the high-pressure gun. The device switches off when the lever is released. The high pressure in the system is retained.
2. Lock the lever of the high-pressure gun.
3. Insert the high-pressure gun into the high-pressure gun storage compartment.
4. Place the high-pressure gun with the spray lance in the parking position.
5. Switch the device off "0/OFF" during work breaks longer than 5 minutes.

## Finishing operation

### ⚠ CAUTION

#### **Pressure in the system**

*Injuries from high-pressure water escaping uncontrollably*

*Only disconnect the high-pressure hose from the high-pressure gun or the device when the system is fully depressurised.*

1. Release the lever of the high-pressure gun.
2. Close the water tap.
3. Press the lever of the high-pressure gun for 30 seconds. The pressure remaining in the system is discharged.
4. Release the lever of the high-pressure gun.
5. Lock the lever of the high-pressure gun.
6. Disconnect the device from the water supply.
7. Switch off the device "0/OFF".
8. Pull the mains plug out of the socket.

## Transport

### ⚠ CAUTION

#### **Failure to observe the weight**

*Risk of injury and damage*

*Be aware of the weight of the device during transportation.*

### Carrying the device

1. Lift and carry the device by the carrying handles.

### Pulling the device

1. Pull the transport handle out until it audibly latches into place.
2. Pull the device via the transport handle.

### Transporting the device in a vehicle

1. Secure the device against slipping and tipping over.

## Care and service

### ⚠ DANGER

#### **Danger of electric shock**

*Injuries due to touching live parts*

*Switch off the device.*

*Remove the mains plug.*

The device is maintenance-free, i.e. you do not need to perform any maintenance work.

### Clean the sieve in the water connection

#### ATTENTION

#### **Damaged sieve in the water connection**

*Damage to the device through contaminated water*

*Check the sieve for damage before inserting it in the water connection.*

If necessary, clean the sieve in the water connection.

1. Remove the water connection coupling.
2. Pull the sieve out using flat pliers.

#### Illustration I

3. Clean the sieve under running water.
4. Insert the sieve into the water connection.

### Clean the detergent filter

Clean the detergent filter before longer periods of storage.

1. Pull the filter off the detergent suction hose.

#### Illustration J

2. Clean the filter under running water.

## Storage

### ⚠ CAUTION

#### **Failure to observe the weight**

*Risk of injury and damage*

*Be aware of the weight of the device during storage.*

### Storing the device

1. Place the device on a level surface.
2. Disconnect the spray lance from the high-pressure gun.
3. Press the separation button on the high-pressure gun and disconnect the high-pressure hose from the high-pressure gun.
4. Press the casing of the high-pressure hose quick coupling in the direction of the arrow and pull out the high-pressure hose.
5. Store the mains connection cable and accessories on the device.
6. Store the high-pressure hose on the device.
7. Secure the mains connection cable and the high-pressure hose with the rubber band.

#### Illustration K

Observe the additional instructions before storing the device for a longer period of time, see chapter Care and service.

## Frost protection

### ATTENTION

#### **Danger of frost**

*Incompletely emptied devices can be destroyed by frost.*

*Completely empty the device and accessories.*

*Protect the device from frost.*

The following requirements must be satisfied:

- The device is disconnected from the water supply.
  - The high-pressure hose is removed.
1. Switch the device on "I/ON".
  2. Wait for a maximum of 1 minute until no more water escapes from the high-pressure connection.
  3. Switch off the device.
  4. Store the device in a frost-protected room, together with all accessories.

## Troubleshooting guide

Malfunctions often have simple causes that you can remedy yourself using the following overview. When in doubt, or in the case of malfunctions not mentioned here, please contact your authorised Customer Service.

### ⚠ DANGER

#### **Danger of electric shock**

*Injuries due to touching live parts*

*Switch off the device.*

*Remove the mains plug.*

#### Device not running

1. Press the lever of the high-pressure gun.  
The device switches on.
2. Check that the voltage specified on the type plate corresponds to the voltage of the power source.
3. Check the mains connection cable for damage.
4. If the motor is overloaded and the motor circuit breaker has triggered:
  - a Switch off the device "0/OFF".
  - b Allow the device to cool down for 1 hour.
  - c Switch the device on "I/ON" and resume operation.

Have the device checked by Customer Service if this fault occurs repeatedly.

#### The device does not start up, the motor buzzes

Voltage drop due to a weak mains grid or when using an extension cable

1. When switching on, first press the lever on the high-pressure gun and then switch on the device "I/ON".

#### Device does not reach required pressure

The water supply is too low

1. Open the water tap fully.
2. Check the water supply for an adequate flow rate. The sieve in the water connection is dirty.

1. Pull the sieve in the water connection out using flat pliers.

2. Clean the sieve under running water.

Air is in the device.

1. Vent the device:

- a Switch on the device without a connected high-pressure hose for a maximum of 2 minutes until the water escaping from the high-pressure connection is free of air bubbles.
- b Switch off the device.
- c Connect the high-pressure hose.
- d Observe the maximum suction height during suction operation (see chapter Technical data).

#### Strong pressure fluctuations

1. Clean the high-pressure nozzle:
  - a Use a needle to remove dirt from the nozzle drill.

- b Rinse the high-pressure nozzle from the front with water.
2. Check the water supply volume.

#### Device leaking

1. The device leaks a small amount for technical reasons. If the leak is severe, request authorised Customer Service.

#### Detergent is not sucked in

1. Use the Vario Power spray lance and turn it all the way in the "SOFT" direction.
2. Clean the filter on the detergent suction hose.
3. Check the detergent suction hose for kinks.

## Warranty

The warranty conditions issued by our relevant sales company apply in all countries. We shall remedy possible malfunctions on your appliance within the warranty period free of cost, provided that a material or manufacturing defect is the cause. In a warranty case, please contact your dealer (with the purchase receipt) or the next authorised customer service site. (See overleaf for the address)

## Technical data

### Electrical connection

Voltage	V	230-240
Phase	~	1
Frequency	Hz	50
Connection output	kW	2,1
Degree of protection		IPX5
Protection class		I
Power protection (slow-blowing)	A	13

### Water connection

Feed pressure (max.)	MPa	1,2
Input temperature (max.)	°C	40
Input amount (min.)	l/min	10
Suction height (max.)	m	0,5

### Device performance data

Operating pressure	MPa	12,5
Max. permissible pressure	MPa	14,5
Water flow rate	l/min	7,5
Maximum flow rate	l/min	8,3
Detergent flow rate	l/min	0,3
High-pressure gun recoil force	N	20

### Dimensions and weights

Typical operating weight	kg	13,9
Length	mm	354
Width	mm	308
Height	mm	520

### Determined values in acc. with EN 60335-2-79

Hand-arm vibration value	m/s <sup>2</sup>	< 2,5
K uncertainty	m/s <sup>2</sup>	0,7
Sound level L <sub>pA</sub>	dB(A)	75
K uncertainty <sub>pA</sub>	dB(A)	3
Sound power level L <sub>WA</sub> + K uncertainty <sub>WA</sub>	dB(A)	91

Subject to technical modifications.

## EU Declaration of Conformity

We hereby declare that the machine described below complies with the relevant basic safety and health requirements in the EU Directives, both in its basic design and construction as well as in the version placed in circulation by us. This declaration is invalidated by any changes made to the machine that are not approved by us.

Product: High-pressure cleaner  
Type: 1.630-xxx

### Currently applicable EU Directives

2000/14/EC  
2014/30/EU  
2006/42/EC (+2009/127/EC)  
2011/65/EU

### Harmonised standards used

EN 50581  
EN 55014-1: 2017  
EN 55014-2: 2015  
EN 60335-1  
EN 60335-2-79  
EN 61000-3-2: 2014  
EN 61000-3-3: 2013  
EN 62233: 2008

### Conformity evaluation procedure used

2000/14/EC: Appendix V

### Sound power level dB(A)

Measured: 88  
Guaranteed: 91

The signatories act on behalf of and with the authority of the company management.



H. Jenner

Chairman of the Board of Management

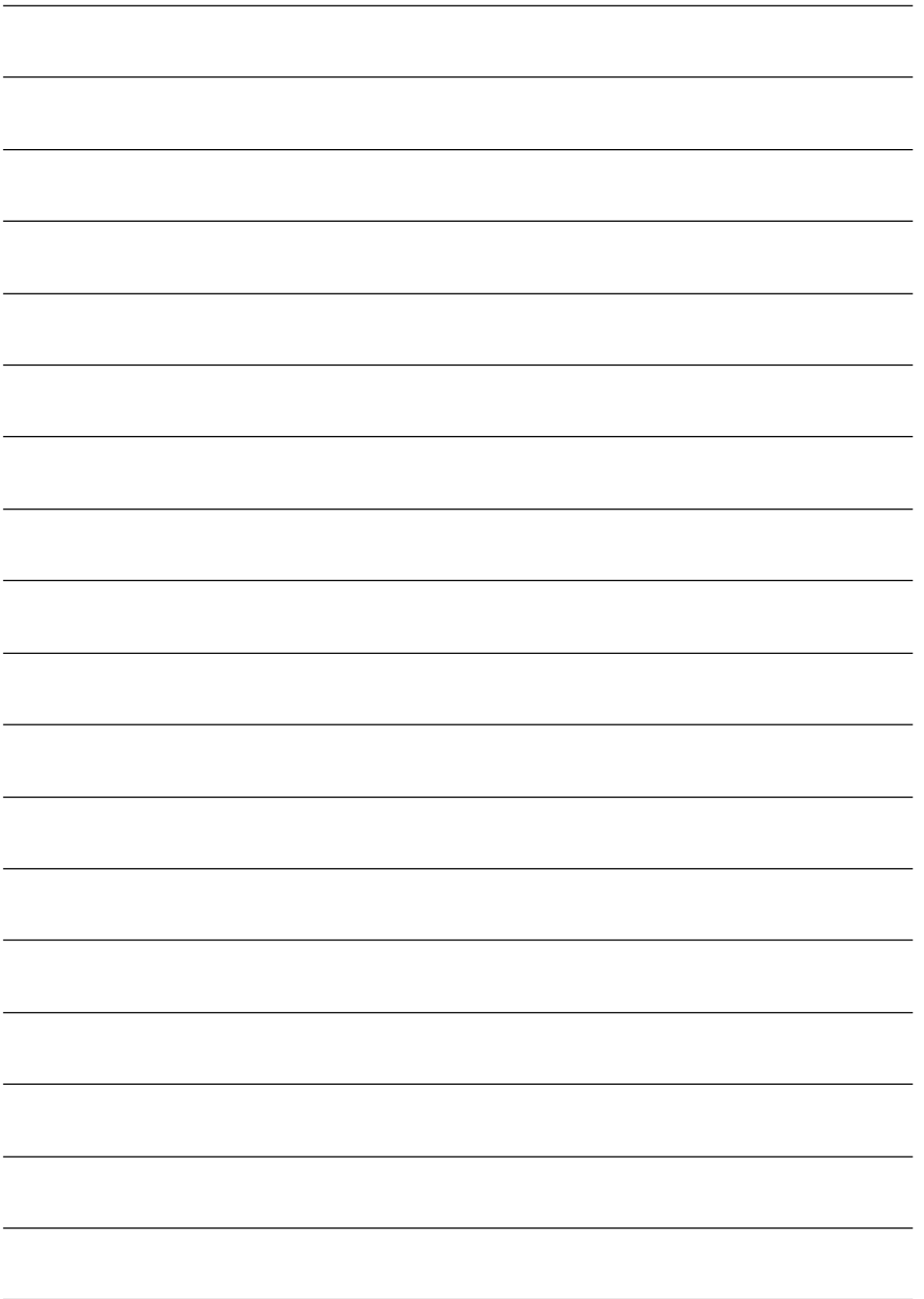


S. Reiser

Director Regulatory Affairs & Certification

Documentation supervisor: S. Reiser

Alfred Kärcher SE & Co. KG  
Alfred-Kärcher-Str. 28 - 40  
71364 Winnenden (Germany)  
Ph.: +49 7195 14-0  
Fax: +49 7195 14-2212  
Winnenden, 2018/10/01



## الضمان

يسري في كل دولة شروط الضمان التي تضعها شركة التسويق المتخصصة التابعة لنا. نحن نتولى إصلاح الأخطاء التي قد تطرأ على جهازك خلال فترة الضمان بدون مقابل، عندما يكون سبب هذه الأعطال ناجم عن عيب في المواد المستخدمة أو في عملية التصنيع. في حالة استحقاق الضمان، توجه من فضلك بقسيمة الشراء إلى أقرب موزع أو مركز خدمة عملاء معتمد. (العنوان على الصفحة الخلفية)

## البيانات الفنية

توصيل الطاقة		
230-240	V	الغلطية
1	~	الطور
50	Hz	التردد
2,1	kW	قدرة التوصيل
IPX5		نوع الحماية
I		فئة الحماية
10	A	مصدر الشبكة (محمول)
وصلة المياه		
1,2	MPa	ضغط التدفق (الأقصى)
40	C°	درجة حرارة التدفق (القصوى)
10	l/min	كمية التدفق (الدنيا)
0,5	m	مستوى الشفط (الأقصى)
أداء الجهاز		
12,5	MPa	ضغط التشغيل
14,5	MPa	الضغط الأقصى المسموح به
7,5	l/min	كمية الإمداد، المياه
8,3	l/min	كمية الإمداد القصوى
0,3	l/min	كمية الإمداد، مواد التنظيف
20	N	قوة ارتجاع مسدس الضغط العالي
الأبعاد الوزن		
13,9	kg	وزن التشغيل النمطي
354	mm	الطول
308	mm	العرض
520	mm	الارتفاع
القيم المسجلة وفقاً للمواصفة EN 60335-2-79		
2,5 >	m/s <sup>2</sup>	القيمة الاهتزازية لليد والذراع
0,7	m/s <sup>2</sup>	قيمة الشك K
75	dB(A)	مستوى انبعاث الصوت L <sub>PA</sub>
3	dB(A)	قيمة الشك K <sub>PA</sub>
91	dB(A)	مستوى قدرة الصوت L <sub>WA</sub> + قيمة الشك K <sub>WA</sub>

المواصفات الفنية خاضعة للتعديل.

## حمل الجهاز

1. رفع وحمل الجهاز من مقابض الحمل.

## سحب الجهاز

1. سحب مقبض النقل حتى يثبت بصوت مسموع.
2. سحب الجهاز من مقبض النقل.

## نقل الجهاز في السيارة

1. تأمين الجهاز ضد الانزلاق، والانقلاب.

## العناية والصيانة

### ⚠️ خطر

#### خطر الإصابة بصدمة كهربائية

الإصابة بسبب ملامسة أجزاء موصلة للكهرباء

قم بإغلاق الجهاز.

اسحب قابس الشبكة.

الجهاز ليس به أي عيوب، هذا يعني أنه من غير الضروري أن تقوم بأي أعمال صيانة منتظمة.

## تنظيف المصفاة في وصلة المياه

### تنبيه

#### مصفاة متضررة في وصلة المياه

تضرر الجهاز بسبب تلوث المياه

قم بفحص المصفاة قبل تركيبها في وصلة المياه من حيث وجود أضرار بها.

عند الحاجة قم بتنظيف المصفاة في وصلة المياه.

1. نزع الوصلة الخاصة بتوصيل المياه.

2. سحب المصفاة باستخدام زردية.

#### صورة إيضاحية 1

3. تنظيف المصفاة تحت المياه الجارية.

4. تركيب المصفاة في وصلة المياه.

## تنظيف فلتير مواد التنظيف

قم بتنظيف فلتير مواد التنظيف قبل تخزينه لفترة طويلة.

1. سحب الفلتير من خرطوم شفط مواد التنظيف.

#### صورة إيضاحية 1

2. تنظيف الفلتير تحت المياه الجارية.

## التخزين

### ⚠️ تنبيه

#### عدم مراعاة الوزن

خطر الإصابة وخطر التعرض لأضرار

احرص عند التخزين على مراعاة وزن الجهاز.

## حفظ الجهاز

1. وضع الجهاز على أرضية مستوية.
2. فصل أنبوب النفث عن مسدس الضغط العالي.
3. ضغط زر الفصل في مسدس الضغط العالي، وافصل خرطوم الضغط العالي من مسدس الضغط العالي.
4. قم بضغط فارتنة التوصيل السريع لخرطوم الضغط العالي في اتجاه السهم، وقم بنزع خرطوم الضغط العالي.
5. قم بحفظ وصلة الكهرباء والملحقات في الجهاز.
6. قم بتخزين خرطوم الضغط العالي على الجهاز.
7. قم بتأمين كابل توصيل الطاقة وخرطوم الضغط العالي باستخدام الشريط المطاطي.

#### صورة إيضاحية K

قبل فترات التخزين الطويلة، يرجى مراعاة الإرشادات الإضافية، أنظر فصل العناية والصيانة.

## الحماية من التجمد

### تنبيه

#### خطر التجمد

يمكن أن تتلف الأجهزة التي لم يتم تفرغها بشكل كامل تحت تأثير التجمد.

عليك تفرغ الجهاز والملحقات بشكل كامل.

عليك حماية الجهاز من التجمد.

يجب القيام بما يلي:

● فصل الجهاز عن مصدر الإمداد بالمياه.

● غسل خرطوم الضغط العالي.

1. تشغيل الجهاز "I/ON".

2. انتظر لمدة دقيقة على الأقل لكيلا تخرج أي مياه من وصلة

الضغط العالي.

3. أطفئ الجهاز.

4. حفظ الجهاز بمحلقاته الكاملة في غرفة مؤمنة ضد التجمد.

## المساعدة في حالة حدوث خلل

في الغالب تكون للاختلالات أسباب بسيطة يمكنك التغلب عليها ببساطة بالاستعانة بالعرض العام التالي. في حالات الشك أو عند حدوث اختلالات غير مذكورة هنا فيرجى التوجه إلى خدمة العملاء المعتمدة.

### ⚠️ خطر

#### خطر الإصابة بصدمة كهربائية

الإصابة بسبب ملامسة أجزاء موصلة للكهرباء

قم بإغلاق الجهاز.

اسحب قابس الشبكة.

#### الجهاز لا يعمل

1. ضغط رافعة مسدس الضغط العالي.
2. الجهاز يعمل.
3. التأكد من توافق بيانات الجهد الموجودة على لوحة الطراز مع جهد مصدر التيار.
4. افحص وصلة الكهرباء من حيث وجود أضرار.
4. في حالة فرط التحميل على المحرك، وتحرير مفتاح حماية المحرك:
  - a. أطفئ الجهاز "OFF/0".
  - b. اترك الجهاز لمدة ساعة واحدة ليبرد.
  - c. تشغيل الجهاز "I/ON" والبدء في استعماله.في حالة تكرار الخطأ لأكثر من مرة، افحص الجهاز من قبل خدمة العملاء.

#### الجهاز لا يعمل، المحرك يُصدر طنين

تذبذب الجهد بسبب ضعف التيار الكهربائي أو في حالة استخدام

وصلة لتمديد الكابلات.

1. عند التشغيل، قم أولاً بضغط الرافعة الخاصة بمسدس الضغط

العالي، ثم قم بتشغيل الجهاز "I/ON".

#### الجهاز لا يعمل بالضغط

الإمداد بالمياه منخفض للغاية

1. فتح صنبور المياه بالكامل.

2. قم بفحص الإمداد بالمياه من حيث وجود كمية الإمداد الكافية.

المصفاة في وصلة المياه منسخة.

1. سحب المصفاة في وصلة المياه باستخدام زردية.

2. تنظيف المصفاة تحت المياه الجارية.

1. تصريف الهواء من الجهاز:

a. تشغيل الجهاز دون توصيل خرطوم الضغط العالي لمدة

دقيقتين بحد أقصى، وانتظر حتى تخرج المياه من وصلة

الضغط العالي دون فقاعات.

b. أطفئ الجهاز.

c. توصيل خرطوم الضغط العالي.

d. في حالة تشغيل الشفط، قم بمراعاة الحد الأقصى لارتفاع

الشفط (انظر فصل البيانات الفنية).

#### تقلبات شديدة في الضغط

1. تنظيف فوهة الضغط العالي:

a. قم بإزالة الانساقات من فتحة الفوهة باستخدام إبرة.

b. شطف فوهة الضغط العالي بالمياه من الامام.

2. فحص كمية الإمداد بالمياه.

#### الجهاز يسرب

1. وجود تسرب طفيف في الجهاز هو أمر ضروري فينبأ. في حالة

وجود تسرب كثيف يجب التواصل مع خدمة العملاء المعتمدة.

#### لا يتم شفط مواد التنظيف

1. استخدم أنبوب النفث Vario Power وأدره إلى اتجاه "SOFT"

حتى سماع صوت التثبيت.

2. تنظيف الفلتير في خرطوم شفط مواد التنظيف.

3. افحص خرطوم الشفط الخاص بمواد التنظيف في حيث وجود

تثبات.

## بدء التشغيل

لا تقم بتنظيف إطارات السيارات، أو اللطاء، أو الأسطح الحساسة مثل الخشب باستخدام ساشي الانساختات.

1. أدخل أنبوب الرش في مدس الضغط العالي وبنته من خلال إدارته بزاوية 90°.
2. **صورة إيضاحية G**
3. تشغيل الجهاز ("I/ON").
4. فتح رافعة مدس الضغط العالي.
5. ضغط رافعة مدس الضغط العالي.
6. الجهاز يعمل.

## التشغيل باستخدام مواد تنظيف

### ⚠ خطر

### عدم مراعاة صفحة بيانات السلامة

أضرار صحية شديدة بسبب الاستخدام غير المطابق للغرض لمواد التنظيف

احرص على مراعاة منشور بيانات السلامة الصادر عن الجهة الصانعة لمواد التنظيف، ولا سيما إرشادات تجهيزات الحماية الشخصية.

### إرشاد

يمكن خلط مواد التنظيف فقط مع درجات الضغط المنخفضة.

1. قم بسحب خرطوم الشفط الخاص بمواد التنظيف بالوتف.
2. المرغوب به من المبيت.

### صورة إيضاحية H

1. قم بتعليق خرطوم الشفط الخاص بمواد التنظيف في الخزان المزود بمواد التنظيف.
2. استخدم أنبوب النفث Vario Power.
3. أدر أنبوب النفث إلى اتجاه "SOFT" حتى سماع صوت التثبيت.
4. أثناء التشغيل يتم خلط محلول مواد التنظيف مع غاز المياه.

### طريقة التنظيف الموصى بها

1. رش المنظف بتقاضي على السطح الجاف واتركه ليظهر أثره (لا يجف).
2. اشطف الانساختات المحررة بتيار الضغط العالي.

### بعد التشغيل مع مواد التنظيف

1. اشطف الجهاز لمدة حوالي 30 ثانية بالمياه النقية.

### مقاطعة عملية التشغيل

1. تحرير رافعة مدس الضغط العالي.
2. عند تحرير الزراع، يتم غلق الجهاز يتم الحفاظ على الضغط العالي في النظام.
3. قفل رافعة مدس الضغط العالي.
4. إدخال مدس الضغط العالي في جراب الحفظ الخاص به.
5. أدخل مدس الضغط العالي مع أنبوب النفث في موضع الإيقاف.
6. عند فترات التوقف عن العمل لمدة تزيد عن 5 دقائق اغلق الجهاز "OFF/0".

## إيقاف التشغيل

### ⚠ تنويه

### الضغط في النظام

الإصابة بسبب تيار المياه المتدفقة بضغط عالي بشكل غير متحكم به

لا تفصل خرطوم الضغط العالي من مدس الضغط العالي أو من الجهاز إلا في حالة عدم وجود ضغط في النظام.

1. تحرير رافعة مدس الضغط العالي.
2. أغلق صنوبر المياه.
3. ضغط رافعة مدس الضغط العالي لمدة 30 ثانية.
4. يتم تبديد الضغط المتبقي في الجهاز.
5. تحرير رافعة مدس الضغط العالي.
6. قفل رافعة مدس الضغط العالي.
7. فصل الجهاز عن مصدر الإمداد بالمياه.
8. أطفئ الجهاز "OFF/0".
9. سحب قابس الشبكة من المقبس.

## النقل

### ⚠ تنويه

### عدم مراعاة الوزن

خطر الإصابة وخطر التعرض لأضرار

احرص عند النقل على مراعاة وزن الجهاز.

1. وضع الجهاز على أرضية مستوية.
2. إدخال خرطوم الضغط العالي في التوصيل السريع حتى تثبت بشكل مسموع.
3. إدخال خرطوم الضغط العالي في مدس الضغط العالي حتى يثبت بشكل مسموع.

### إرشاد

مراعاة الاتجاه السليم للوصلة.

### صورة إيضاحية E

4. التوصيل الآمن للسحب من خرطوم الضغط العالي.
5. إدخال قابس الشبكة في المقبس.

## الإمداد بالمياه

لمعرفة قيم التوصيل انظر لوحة الصنع أو فصل البيانات الفنية. مراعاة تعليمات مؤسسة التزويد بالمياه.

### تنبيه

### الأضرار بسبب المياه الملوثة

الانساختات في المياه قد تؤدي إلى تضرر المضخة والملحقات. لتوفير الحماية توصي KÄRCHER باستخدام فلتير المياه طراز KÄRCHER (الملحقات الخاصة، رقم الطلب 4.730 059).

## التوصيل بصنوبر المياه

### تنبيه

### تضرر المضخة

وصلة الخرطوم في خرطوم الحديدية المصنوعة من المعدن، مع نظام أكواستوب، قد تؤدي إلى تضرر المضخة.

استخدم وصلة الخرطوم المصنوعة من البلاستيك، أو وصلة الخرطوم طراز KÄRCHER المصنوعة من النحاس.

1. إدخال خرطوم الحديدية في التوصيلة الخاصة بوصلة المياه.

### صورة إيضاحية F

2. توصيل خرطوم الحديدية بصنوبر المياه.
3. فتح صنوبر المياه بالكامل.

## شفط المياه من الخزان المفتوح

باستخدام الضغط العالي يتوانم هذا المنظف للاستخدام مع خرطوم الشفط طراز KÄRCHER مع صمام الرجوع (الملحقات الخاصة، رقم الطلب، 2.643 100). وذلك لشفط المياه السطحية، مثلاً من براميل الأمطار، أو البرك، (لمعرفة الارتفاع الأقصى للشفط انظر فصل البيانات الفنية).

عند تشغيل الشفط، لا يلزم وجود وصلة خاصة بوصلة المياه.

1. إلا خرطوم الشفط بالمياه.
2. أدر خرطوم الشفط من وصلة المياه الخاصة بالجهاز، وعلقه بأحد مصادر المياه (مثلاً ليرميل المطر).

## تصريف الهواء من الجهاز

1. تشغيل الجهاز "I/ON".
2. فتح رافعة مدس الضغط العالي.
3. ضغط رافعة مدس الضغط العالي.
4. انترك الجهاز يعمل بحد أقصى لمدة دقيقتين حتى تخرج المياه بدون فقاعات.
5. تحرير رافعة مدس الضغط العالي.
6. قفل رافعة مدس الضغط العالي.

## التشغيل

### تنبيه

### المضخة تدور دون مياه

### تضرر الجهاز

إذا لم يكون الجهاز أي ضغط في غضون دقيقتين، قم إذاً بخلق الجهاز، واتبع التعليمات الواردة في فصل المساعدة في حالة حدوث خلل.

## التشغيل بالضغط العالي

### تنبيه

### تضرر السطح الحساس أو المطلي

تعرض السطح للضرر بسبب المسافة القليلة لشعاع النفث، أو عن طريق اختيار أنبوب نفث غير مناسب.

حافظ على مسافة 30 سم على الأقل في حالة تنظيف الأسطح المطلية.

## حماية البيئة



المواد المستخدمة في التغليف قابلة لإعادة التدوير. يرجى التخلص من مواد التغليف بطريقة تحافظ على البيئة. تحتوي الأجهزة الكهربائية والإلكترونية على مواد قيمة قابلة لإعادة التدوير وغالباً ما تحتوي كذلك على أجزاء مثل البطاريات، أو المراكمات أو الزيوت والتي قد تشكل خطورة على صحة الإنسان والبيئة في حالة التعامل معها أو إذا تم التخلص منها بصورة خاطئة. إلا أن هذه الأجزاء ضرورية لتشغيل الجهاز بصورة سليمة. لا يجوز التخلص من الأجهزة المميزة بهذا الرمز مع النفايات المنزلية.



أعمال التنظيف التي يتكون فيها مياه عادية تحتوي على زيوت، مثل غسل المحركات، وغسل الهيكل السفلي، لا يسمح بإجراءها إلا في أماكن الغسل المزودة بفاصل للزيت. لا يسمح بالعمل باستخدام مواد التنظيف إلا في أماكن العمل غير المغذدة السوائل مع وجود وصلة بقناة المياه المتسخة. لا يسمح بوصول مواد التنظيف إلى المياه أو إلى التربة السطحية. استخدام المياه من مجاري المياه العامة غير مسموح به في بعض البلدان.

إرشادات حول مواد المحتويات (REACH)

تجد المعلومات المحدثة حول المكونات على الموقع:

[www.kaercher.de/REACH](http://www.kaercher.de/REACH)

## الاستخدام المطابق للتعليمات

استخدم منظفات الضغط العالي للاستعمال المنزلي فقط. منظفات الضغط العالي مخصصة لتنظيف الماكينات والسيارات والمباني والعدد والواجهات والشرفات ومعدات الحدائق وغيرها وذلك باستخدام الضغط العالي لسحابة المياه.

## الملحقات التكميلية وقطع الغيار

استخدام الملحقات التكميلية الأصلية وقطع الغيار الأصلية فقط، والتي تضمن تشغيل الجهاز بشكل آمن وخالٍ من الاختلالات. تجد المعلومات الخاصة بالملحقات التكميلية وقطع الغيار على الموقع [www.kaercher.com](http://www.kaercher.com).

## محتوى التسليم

محتوى تسليم الجهاز مصور على العبوة. تأكد من وجود جميع محتويات العبوة عند فتحها. وفي حالة نقص أية ملحقات تكميلية أو اكتشاف أي تلف بها ناتج عن عملية النقل، يرجى إخطار البائع.

## مواصفات الجهاز

الأشكال، انظر صفحة الصور

صورة إيضاحية A

① حفظ أنابيب النفت

② حفظ مسدس الضغط العالي

③ مقبض النقل، قابل للخلع

④ مقبض الحمل

⑤ التوصيل السريع لخرطوم الضغط العالي

⑥ شريط مطاطي

⑦ حفظ خرطوم الضغط العالي وكابل توصيل الطاقة

⑧ أدر مفتاح الجهاز إلى الوضع "OFF" / "I/ON/0"

⑨ وصلة الشبكة مع قابس شبكة

⑩ مقبض الحمل

⑪ لوحة الطراز

⑫ عجلة النقل

⑬ توصيل وصلة المياه

⑭ وصلة المياه مع مصفاء مُركبة

⑮ خرطوم الشطف الخاص بمواد التنظيف (مع فلتر)

⑯ مسدس الضغط العالي

⑰ قفل مسدس الضغط العالي

⑱ خرطوم الضغط العالي

⑲ زر فصل خرطوم الضغط العالي من مُسدس الضغط العالي

⑳ أنبوب النفت المزود بساحق الانساختات للتغلب على الانساختات العتيقة

㉑ أنبوب النفت Vario Power لمهام التنظيف المعتادة. ضغط العمل قابل للتعديل بدون تدرج من درجة "SOFT" حتى

"HARD". لتعديل ضغط العمل، ينبغي ترك ذراع مسدس الرذاذ العالي وإدارة أنبوب النفت إلى الوضع المرغوب. إذا تم إدارة أنبوب النفت حتى تشبته في اتجاه SOFT، يمكن معايرة كمية مادة التنظيف.

㉒\*\* خرطوم الحديقة المزود بطريقة توصيل متداولة

— تسبيح مقوى

— الحد الأدنى للفطر 1/2 بوصة (13 مم)

— الحد الأقصى للطول 7.5 م

\*\* ضروري بشكل إضافي

## تجهيزات السلامة

⚠ تنويه

تجهيزات السلامة التالفة أو المتغيرة

تجهيزات السلامة تخدم حمايتك.

لا تقوم بتغيير أو تجاوز تجهيزات السلامة أبداً.

## مفتاح الجهاز

مفتاح الجهاز يمنع تشغيل الجهاز دون قفص.

## قفل مسدس الضغط العالي

القفل يجنب الرافعة، ومسدس الضغط العالي، ويمنع بدء تشغيل الجهاز دون قفص.

## وظيفة الإيقاف التلقائي

عند تحرير الرافعة مع مسدس الضغط العالي، يوقف مفتاح الضغط المضخة، ويوقف شعاع الضغط العالي. عند الضغط على الذراع، يتم تشغيل المضخة ثانية.

## مفتاح حماية المحرك

في حالة وجود تيار عالٍ للغاية، يُلقف مفتاح حماية المحرك الجهاز.

## الرموز موجودة على الجهاز

لا توجه شعاع الضغط العالي على الأشخاص، أو الحيوانات، أو أي معدات كهربائية فعالة أو على الجهاز نفسه.

قم بحماية الجهاز من التجمد.

لا يسمح بتوصيل الجهاز مباشرة بشبكة مياه الشرب العامة



## التركيب

للأشكال، انظر صفحة الصور.

قبل بدء التشغيل قم بتركيب الأجزاء المرفقة بالجهاز.

## لقنلا ضيقم بيكرتب مق

1. لقنلا ضيقم لخدأ

صورة إيضاحية B

## تركيب التوصيلات الخاصة بوصلة المياه

1. ربط التوصيلات الخاصة بوصلات المياه في موضع وصلات المياه بالجهاز.

صورة إيضاحية C



△ **تنويه** • خزن مواد التنظيف بعيدا عن متناول الأطفال. • استخدم مواد التنظيف الموردة مع الجهاز أو التي تنصح بها الجهة الصانعة فقط. استخدام مواد التنظيف الأخرى أو المواد الكيميائية يمكن أن تضر بسلامة الجهاز.

الأجهزة التي تصدر قيمة اهتزاز ليد أو الذراع < 2,5 م<sup>2</sup> (انظر فصل البيانات الفنية في دليل التشغيل)

△ **تنويه** • يمكن أن يؤدي استعمال الجهاز لعدة ساعات دون انقطاع إلى ظهور شعور بالتخدير. • استخدم قفازات دافئة لحماية اليدين. • عليك التوقف للاستراحة بشكل منتظم.

### العناية والصيانة

△ **تحذير** • افصل القابس الكهربائي قبل إجراء أي أعمال للصيانة والعناية. △ **تنويه** • عليك إجراء أعمال الإصلاح أو الأعمال الأخرى على القطع الكهربائية من قبل مركز خدمة معتمدة فقط. **تنبيه** • لا تستخدم مادة الأسيتون أو مواد حمضية غير مخففة أو مواد مذيبة لأن هذه المواد ستضر بالمواد المستخدمة في الجهاز.

### الشحن

△ **تنويه** • خطر الحوادث والإصابة. عليك مراعاة وزن الجهاز عند عملية الشحن والتخزين، انظر فصل البيانات الفنية في دليل التشغيل.

استخدام من أن الجهاز وملحقاته في حالة سليمة وأمنة للتشغيل مثلا خرطوم الضغط العالي، مسدس الضغط العالي وتجهيزات السلامة أيضا. لا تستخدم الجهاز عند وجود تلف فيه. قم بتغيير الأجزاء التالفة فورا. • استخدم خراطيم الضغط العالي والتجهيزات والقارنات التي تنصح بها الجهة الصانعة. • خطر الاحتراق. عند فصل مدخل الخرطوم أو خرطوم الضغط العالي يمكن أن يخرج ماء ساخن من الوصلات بعد التشغيل.

△ **تنويه** • لا تستخدم الجهاز أبدا بدون قاطع للنظام بشبكة مياه الشرب وفقا للوائح السارية. تأكد من أن وصلة الشبكة المائية بمنزلك التي تم توصيلها بجهاز التنظيف بالضغط العالي مزودة بفاصل للنظام وفقا لمعيار EN 12729 Typ BA. • الماء التي تمر عن طريق فاصل النظام لا تصلح بعد ذلك للشرب. ١ لا تترك الجهاز دون مراقبة أبدا طالما يكون مشغلا. • يتم عن طريق المياه الخارجة من فوهة الضغط العالي توليد قوة ارتدادية بمسدس الضغط العالي. قم بتأمين مكان وقوفك بشكل آمن وامسك مسدس الضغط العالي وأنبوب الشعاع بشكل ثابت. • حوادث وأضرار ناجمة عن سقوط الجهاز. يجب عليك ضمان السلامة قبل إجراء أي عمل على الجهاز أو قبل استخدام الجهاز. **تنبيه** • لا تستخدم الجهاز عندما تكون درجات الحرارة تحت 0 ° مئوية.

### التشغيل باستخدام مادة تنظيف

△ **تحذير** • يمكن أن يؤدي استعمال مواد التنظيف غير الصحيحة إلى حدوث إصابات خطيرة أو إلى حدوث التسمم.

10-1 م: 1,5 مم<sup>2</sup>

10-30 م: 2,5 مم<sup>2</sup>

△ تنويه • فك كابل التمديد الكهربائي دائما بشكل كامل من بكرة الكابل الكهربائي. • يجب عند التوقف عن العمل لفترة استراحة طويلة وبعد الاستخدام إيقاف الجهاز عن طريق المفتاح الرئيسي / مفتاح الجهاز وكذلك فصل القابس الكهربائي أيضا.



### التشغيل

△ خطر • يمنع منعاً باتاً التشغيل في المناطق القابلة للانفجار. • لا تقم بشطف مواد مذيبة أو سوائل تحتوي على مواد مذيبة أو مواد حمضية غير مخففة أبداً. وهذه تشمل على سبيل المثال البنزين، مواد إضافية للألوان أو وقود التدفئة. الرذاذ قابل للاشتعال والانفجار وسام. • إطارات السيارات التالفة / صمامات الإطارات تشكل مصدر خطر على الحياة. إطارات السيارات / صمامات الإطارات يمكن أن تتضرر أو تتفجر عن طريق استخدام شعاع الضغط العالي. أول علامة على ذلك هو تغيير لون الإطارات. عليك المحافظة على مسافة 30 سم على الأقل من الشعاع عند تنظيف السيارة عن إطارات السيارة / صمامات الإطارات.

△ تحذير • لا تستخدم الجهاز بالقرب من تواجد أشخاص آخرين لا يرتدون ملابس وقاية مناسبة. • لا توجه شعاع الضغط العالي على نفسك مثلاً على ملابسك أو حذائك لتنظيفه. • لا توجه شعاع الضغط العالي على الأشخاص، الحيوانات، معدات كهربائية فعالة أو على الجهاز نفسه. • لا تقوم برش أي أشياء تحتوي على مواد ضارة بالصحة (الإسبست مثلاً). • تأكد قبل كل

بتوصيل الجهاز بتيار متردد فقط. يجب أن يتوافق الجهد الموجود على لوحة الطراز مع جهد مصدر التيار. • استخدم الجهاز عن طريق قاطع الدائرة الكهربائية فقط (30 مللي أمبير حد أقصى). • لا تلمس القابس الكهربائي والمقبس بأيدي مبتلة بالماء نهائياً. • يجب أن يكون القابس الكهربائي وقارئة كابل التمديد الكهربائي مقاومة ضد الماء ولا يسمح بوضعهما في الماء. لا يسمح بوضع القارئة على الأرض. استخدم بكرات الكابل الكهربائي التي تتضمن تواجد القوابس الكهربائية بقدر 60 مم فوق الأرض على الأقل. • يجب أن تكون جميع الأجزاء الموصلة للتيار الكهربائي في مكان العمل محمية من أشعة الماء. △ تحذير • قم بتوصيل الجهاز بوصلة كهربائية يكون تم شرائها من متجر متخصص ببيع الأجهزة الكهربائية وفقاً لمعيار • IEC 60364-1 افحص كابل التوصيل الكهربائي المزود بقابس قبل كل عملية تشغيل. لا تقم بتشغيل الجهاز عندما يكون كابل التوصيل الكهربائي تالف. قم بتغيير كابل التوصيل الكهربائي التالف فوراً من قبل خدمة العملاء المعتمدة / فني كهربائي. 1 لا تقم بالحاق أضرار أو إتلاف كابل التوصيل الكهربائي وكابل التمديد الكهربائي عن طريق الدهس، سحق، الشد أو فعل شيء به من هذا القبيل. قم بحماية كابل التوصيل الكهربائي من الحرارة، الزيت والحواف الحادة. • كابلات التمديد الكهربائية غير المناسبة يمكن أن تكون مصدر للخطر. استخدم في الهواء الطلق لذلك كابلات التمديد الكهربائية المرخصة والمميزة ومزودة بمقطع عرضي للكابل كافي:

## إرشادات السلامة جهاز تنظيف بالضغط العالي

يرجى قراءة دليل التشغيل   هذا قبل أول استخدام

للجهاز وكذلك إرشادات السلامة المرفقة. ثم يجب استخدام الجهاز وفقاً لذلك.

عليك الاحتفاظ بكلا الكتيبين وذلك للاستخدام اللاحق أو تسليمهما للمالك التالي.

● يجب عليك إلى جانب الإرشادات الواردة في دليل التشغيل مراعاة القواعد العامة للسلامة والوقاية من الحوادث والتي يحددها المشرع القانوني.

● تشير علامات الإرشاد والتحذير الموجودة على الجهاز إلى الإرشادات الهامة للتشغيل الآمن.

### درجات الخطر

#### ⚠️ خطر

إشارة إلى خطر مباشر وشيك الحدوث وقد يؤدي إلى إصابات جسدية بالغة أو إلى الوفاة.

#### ⚠️ تحذير

إشارة إلى موقف قد تحفه المخاطر وقد يؤدي إلى إصابات جسدية بالغة أو إلى الوفاة.

#### ⚠️ تنويه

إشارة إلى موقف قد تحفه المخاطر وقد يؤدي إلى إصابات بسيطة.

#### تنبيه

إشارة إلى موقف قد تحفه المخاطر وقد يؤدي إلى حدوث أضرار مادية.

### معدات الحماية الشخصية

⚠️ تنويه ● ارتدي ملابس واقية مناسبة ونظارة واقية لحماية نفسك من رذاذ الماء والأوساخ المتطايرة. ● يمكن أن ينشأ هباء جوي/أيروسول أثناء

استعمال جهاز التنظيف بالضغط العالي. يمكن أن يؤدي استنشاق الهباء الجوي إلى حدوث أضرار صحية. اعتماداً على نوع الاستخدام، يمكن أن يساعد استعمال فوهات محمية بالكامل (منظف سطحي مثلاً) إلى تقليل انبعاث الهباء الجوي بشكل كبير. ارتدي تبعا للمكان المراد تنظيفه، قناع واقي للتنفس من فئة FFP 2 أو ما يعادلها لحماية نفسك من استنشاق الهباء الجوي عندما يكون استخدام فوهة محمية بالكامل غير ممكناً.

### إرشادات السلامة العامة

⚠️ خطر ● خطر الإختناق. يجب عليك إبعاد أكياس التعبئة والتغليف عن متناول الأطفال.

⚠️ تحذير ● استخدم الجهاز وفقاً للغرض المحدد له فقط. عليك مراعاة الظروف المحيطة والانتباه عند استخدام الجهاز إلى الأشخاص

الآخرين وخاصة الأطفال منهم. ● يسمح للأشخاص الذين لديهم قدرات بدنية أو حسية أو عقلية محدودة أو الذين لا تتوافر لديهم الخبرة والمعرفة، أن يستخدموا الجهاز بشرط الإشراف عليهم أو بعد حصولهم على تعليمات بشأن كيفية الاستخدام الآمن للجهاز ومعرفتهم بالمخاطر المرتبطة به. ● لا يسمح للأطفال بتشغيل الجهاز. ● يجب مراقبة الأطفال للتأكد من عدم لعبهم بالجهاز.

⚠️ تنويه ● تجهيزات السلامة تخدم حمايتك. لا تقم بتغيير أو تجاوز تجهيزات السلامة أبداً.

### خطر صعقة كهربائية

⚠️ خطر ● قم بتوصيل أجهزة فئة الحماية 1 بمصادر التيار الكهربائي المأرضة بشكل سليم فقط. ● قم

**Alfred Kärcher SE & Co. KG**

Alfred-Kärcher-Straße 28 - 40  
71364 Winnenden (Germany)

Tel.: +49 7195 14-0

Fax: +49 7195 14-2212



<http://www.kaercher.com/service>

